



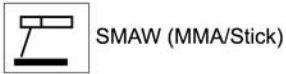
WE301H

WE402H

WE502H



WELDING PROCESS



SMAW (MMA/Stick)



Gouging



GTAW (TIG)
(Scratch-start)

MODEL	WE301H	WE402H	WE502H
Input Supply	415 V ± 10%, 3-ph, 50 / 60 Hz (Standard) 460 V + 5% / - 10%, 3-ph, 50 / 60 Hz (Optional)		
Rated Input Power	12.2 kVA	18 kVA	25.1 kVA
Idling Input Current	0.2 A (Max.)		
Output OCV (CC)	60 V dc (Max.) *		
Output Current Range (CC)	10 – 300 A	10 – 400 A	10 – 500 A
Rated Output @ 70% Duty Cycle	300 A / 32 V	400 A / 36 V	500 A / 40 V
Rated Output @ 100% Duty Cycle	250 A / 30 V	330 A / 33.2 V	420 A / 36.8 V
Dimensions (W x H x D)	(260 x 380 x 490) mm	(260 x 380 x 490) mm	(270 x 440 x 490) mm
Weight	35.7 kg	36 kg	41.2 kg

* Reduced Open Circuit Voltage (VRD) available on request

WELDING FEATURES

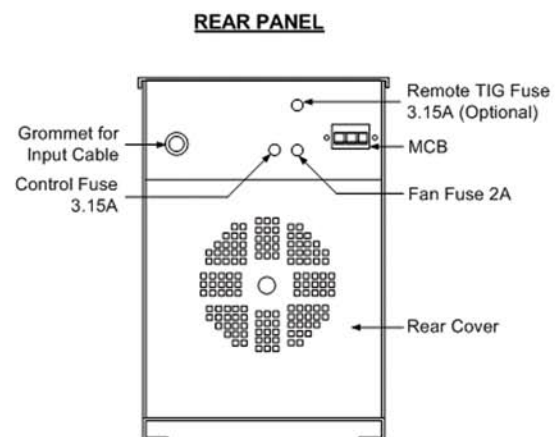
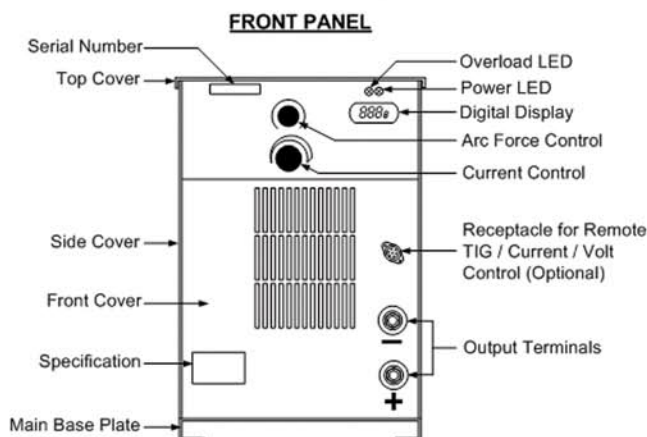
- Stepless **Current** control.
- **Arc-force** control (MMA) for anti-stick of electrodes and dynamic control of low Hydrogen and Cellulose electrodes.
- Built in **hot-start** (MMA) for additional current during arc-striking.
- Suitable for scratch-start **TIG** welding.
- Compatible with remote **HF TIG** control unit (WERT301) by adding optional modification kit to the power source.

GENERAL FEATURES

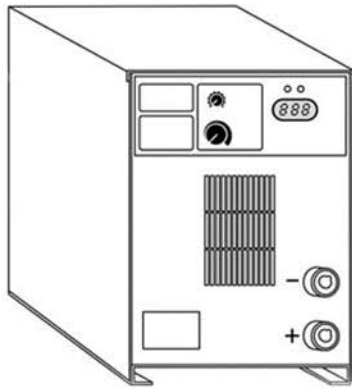
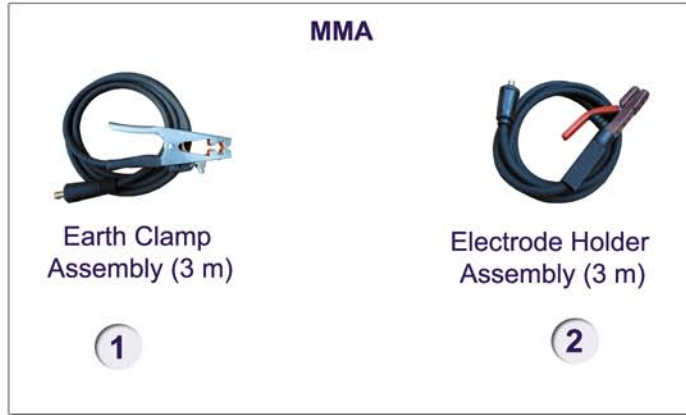
- **Inverter** technology.
- **Heavy-duty, Rugged** and **Light-weight**.
- **Welder** friendly controls.
- **Energy** efficient & **Generator** friendly - Low kVA demand.
- **Maintenance** and **Service** friendly.
- **Digital display** for easy setting of Current.
- Ideal for **harshest** environment and meets the requirement of quality welding in shipyards, pipelines, constructions, petrochemical plants, offshore works and workshops.

SAFETY FEATURES

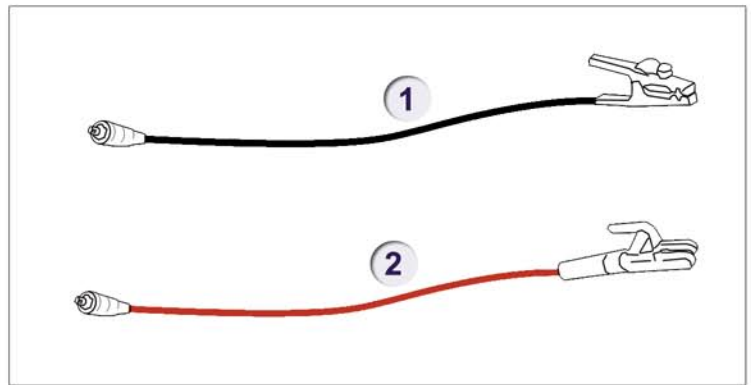
- **MCB & Fuses** for fault protection.
- Under voltage, thermal overload & current limit protection.



STANDARD



WE502H / WE402H / WE301H



OPTIONALS



WER101 Remote Current / Volt Control Unit (with 10 m cable & power source modification kit)



TIG Torch Assembly Valve type (25 ft)



Gas Regulator Argon



Gouging Torch (7 ft)



WERT301 HF TIG Control Unit (with power source modification kit)